

**METRO  
LIGHT &  
POWER**

# M-LINEAR FIXTURE

## LINEAR LED LIGHTING SOLUTIONS

Our M-Linear Fixture is a compact anodized aluminum extrusion that can be used for a variety of applications along with any of our M-Light linear LED lighting configurations. The M-Linear Fixture features three-way cable guides permitting cables to be routed to either side or the bottom, end caps allowing for seamless end-to-end runs of LEDs, and mounting clips providing the ability to mount in wood or other materials without the need for reveals

TOP



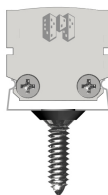
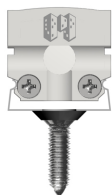
- **3-WAY CABLE GUIDES**
- **MOUNTS FLUSH, WITHOUT THE NEED FOR REVEALS**
- **SLIM ANODIZED ALUMINUM EXTRUSION**
- **EXTRUDED POLYCARBONATE LENS**



FRONT

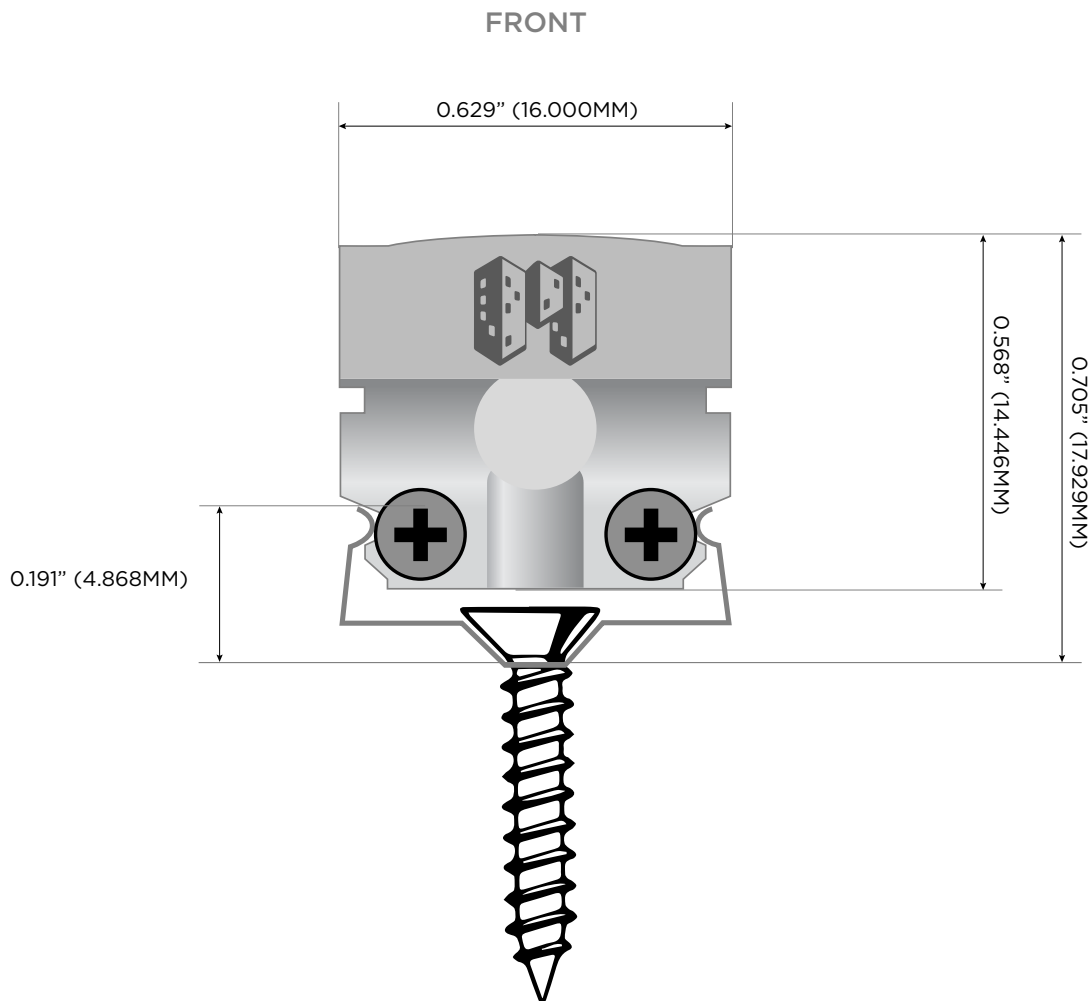
BACK

SIDE



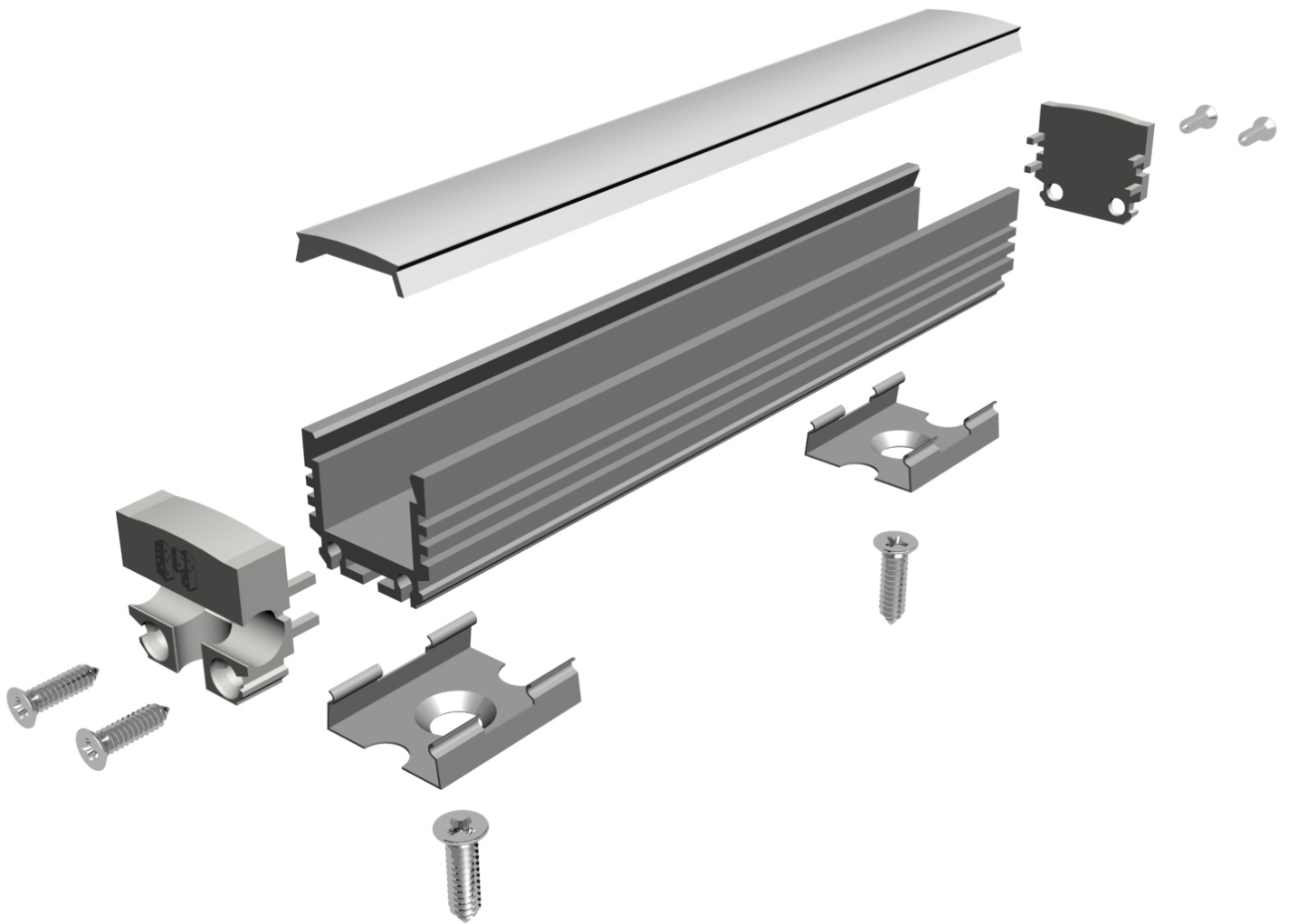


# M-LINEAR FIXTURE





# M-LINEAR FIXTURE





# M-LINEAR FIXTURE

