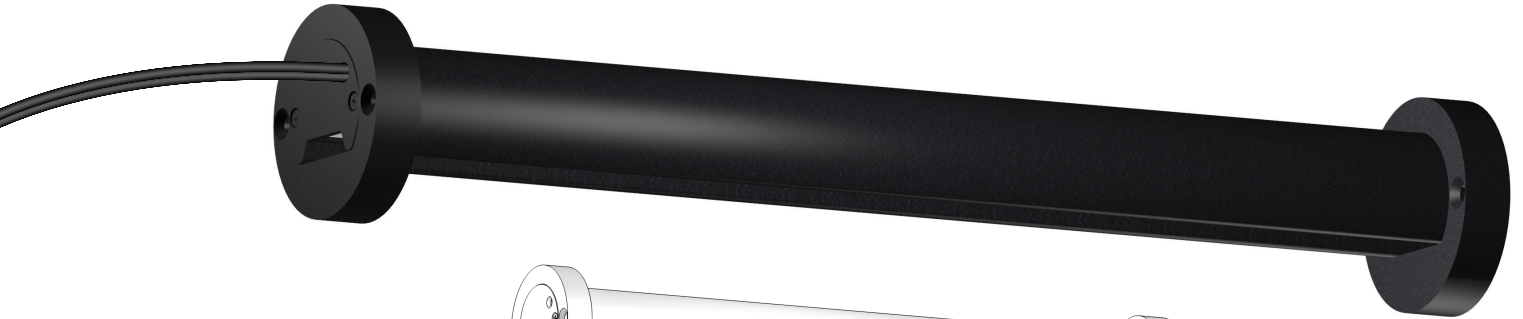




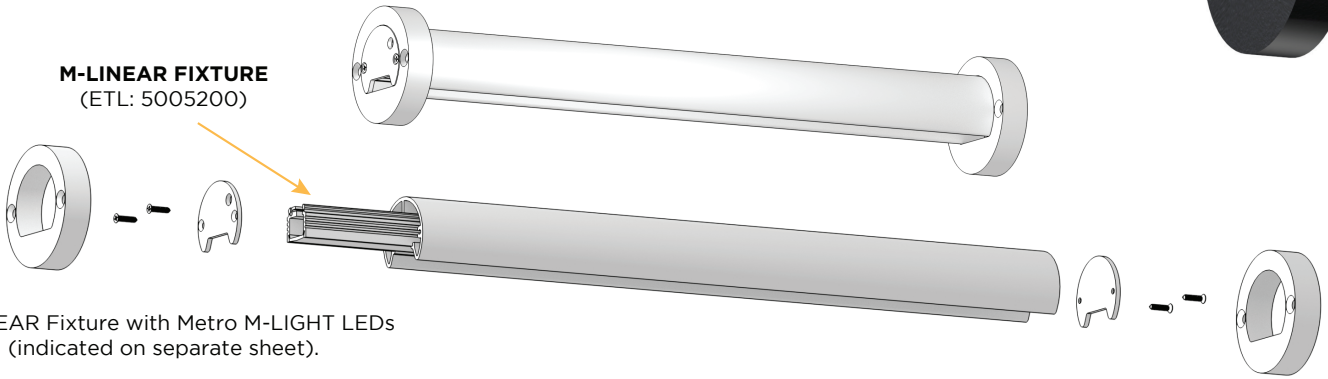
# M-CLST

## LINEAR LED LIGHTING SOLUTIONS

Our M-CLST Fixture is a Round LED Lighted Closet Bar made from extruded Aluminum with a Frosted Polycarbonate Lens. Powered by our M-LIGHT LEDs, with a Plug-in LED Driver. It is available with an Anodized Finish, or can be Powder Coated with any of a number of available colors. It is also available with an IR Sensor to so that the LEDs inside the Closet Bar turn on when the closet door(s) is/are opened. Can be custom made to any length up to 2.0m and is available in a range of finishes.

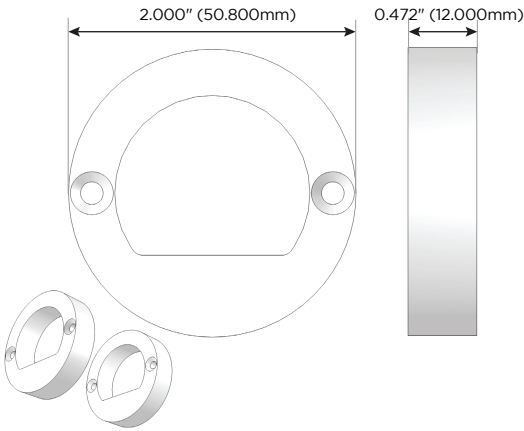


**M-LINEAR FIXTURE**  
(ETL: 5005200)

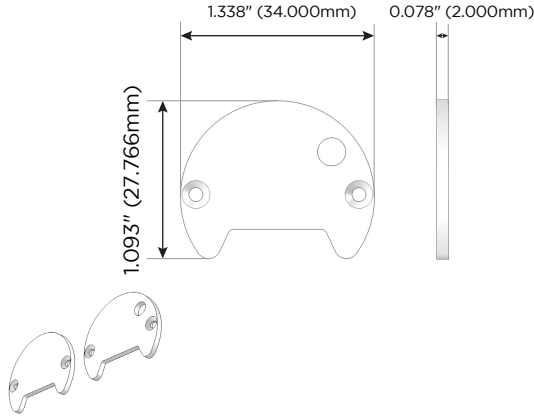


M-LINEAR Fixture with Metro M-LIGHT LEDs  
(indicated on separate sheet).

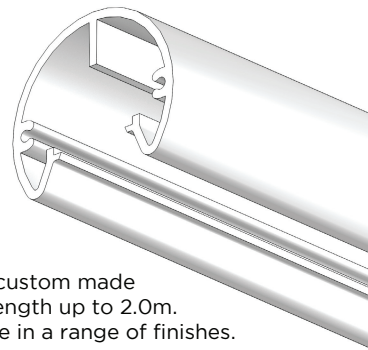
### WALL MOUNTING BRACKETS



### ALUMINUM ENDCAPS



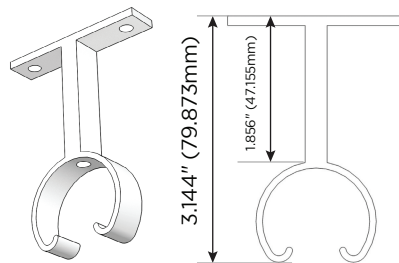
### ALUMINUM PROFILE



Can be custom made to any length up to 2.0m. Available in a range of finishes.

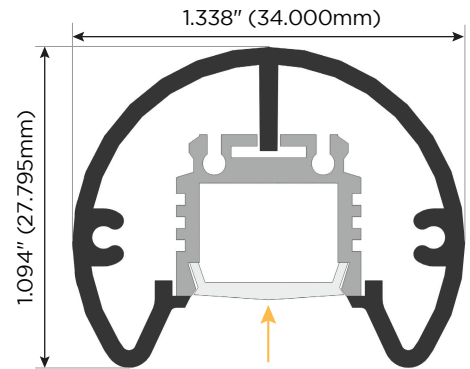


### SUPPORT BRACKET



Use support if rod is over 3 ft.

### ANNODIZED OR POWDER COATED (RAL Color Chart Available upon Request)



**M-LINEAR FIXTURE**  
(ETL: 5005200)

